

ONE GOAL, ONE DREAM - MISSION SELECTION 2024

PREMIUM BUNDLE PDF COURSE 2024

Highlighting Segments

- Beginners Bundle Quiz Course
- Topic-Wise Bundle Course
- Exam-Wise Bundle PDF Course
- Section-Wise Bundle PDF Course
- Memory Based Questions Bundle Course
- Prelims Scoring Part Bundle Course
- Mains Booster Bundle Course
- Critical Reasoning Bundle Course
- Mains Two Mark Questions Bundle Course
- Daily Editorial Based English Questions PDF
- Special Quants Arithmetic Bundle Course
- Special DI & Caselet Bundle Course
- Special Puzzles & Seating Bundle Course
- 101 Version 2.0 New Pattern Puzzles & DI Questions
- Current Affairs Bundle PDF Course
- Static Banking & Static GK Bundle Course
- Computer Awareness Bundle Course

***Special Offer For PRIME Users**

One Time Offer Ends Soon - Hurry!!!

GRAB IT NOW

[Click Here For Bundle PDF Course](#)

[Click Here to Subscribe Our Yearly Mock Test Package](#)

Parallel Row Seating Arrangement for Bank Exam – Question Bank Set 2 (Eng)

Directions (1-5): Study the following information carefully and answer the below questions

Ten persons are sitting in two parallel rows and facing each other. In Row 1 P, Q, R, S, and T are seated and faces south. In row 2 I, J, K, L, and M are seated and faces north. All the information is not necessarily in the same order.

I sit second from either the right end or left end.

Only one person sits between I and the one who faces S. R sits third to the left of the one who sits opposite to J. The number of persons sitting between S and R is the same as between Q and T. Q and R are not immediate neighbors. The number of people sits to the right of P is the same as to the left of M. K sits to the right of L who does not face S.

1) In which of the following statements does the 1st person sits exactly between the 2nd and 3rd person in the final arrangement?

- I. MJI
- II. SQP
- III. TSQ
- A. Only II
- B. Only I and II
- C. Only III
- D. All I, II, and III
- E. None of these

2) Four of the five among the following are similar in such a way to form a group, who among the following doesn't belong to the group?

- A. QJ

- B. SM
- C. PI
- D. TK
- E. LR

3) Who among the following person sits third to the left of Q?

- A. The one who sits immediate right of R
- B. The one who sits immediate left of S
- C. The one sits opposite to J
- D. The one who sits second to the left of T
- E. P

4) Which of the following statement is/are false?

- I. Only one person sits between I and L
- II. J sits immediate left of I
- III. Q and L are diagonally opposite to each other.
- A. Only I and III
- B. Only III
- C. Only I and II
- D. Only II
- E. All are false

5) Who among the following person sits second to the right of the one who sits opposite to Q?

- A. M
- B. The one who sits second to the right of J
- C. K
- D. The one who sits third to the right of L
- E. I

Parallel Row Seating Arrangement for Bank Exam – Question Bank Set 2 (Eng)

Directions (6-10): Study the following information carefully and answer the below questions

Twelve persons are sitting in two parallel rows and facing each other. In Row1 P, Q, R, S, T, and U are facing the south. In row2 H, I, J, K, L, and M are facing the north. All the information is not necessarily in the same order.

T sits opposite to the one who sits third to the left of M. The number of persons sits to the right of M is the same as the number of persons sit to the left of L. U sits third to the left of T. H sits opposite to the one who sits second to the right of U. J sits third to the right of the one who sits immediate left of K. The number of persons sits between J and I is same as the number of persons sit between R and Q. R and T are not immediate neighbours. Q and H are not sitting opposite to each other. S sits to the left of P who does not sit opposite to L.

6) Who among the following person sits opposite to S?

- A. The one who sits immediate left of M
- B. The one who sits second to the left of H
- C. J
- D. The one who sits immediate right of L
- E. L

7) Who among the following person sits to the right of P?

- I. S
- II. R
- III. The one who sits third to the right of S

IV. T

- A. Only III and IV
- B. Only I and III
- C. Only II and IV
- D. Only I and II
- E. Only I and IV

8) Four of the five among the following are similar in such a way to form a group, who among the following doesn't belong to the group?

- A. The one who sits immediate left of L
- B. The one who sits second to the right of K
- C. The one who sits immediate right of T
- D. R
- E. U

9) Who among the following person sits second to the left of K?

- A. L
- B. The one who sits second to the right of H
- C. Q
- D. The one who sits opposite to R
- E. H

10) Which of the following statement is/are false?

- I. Only one person sits between H and M
 - II. R sits opposite to J
 - III. Q and J are diagonally opposite to each other.
 - IV. U and T are immediate neighbours
- A. Only II and IV
 - B. Only III and IV
 - C. Only I and II

Parallel Row Seating Arrangement for Bank Exam – Question Bank Set 2 (Eng)

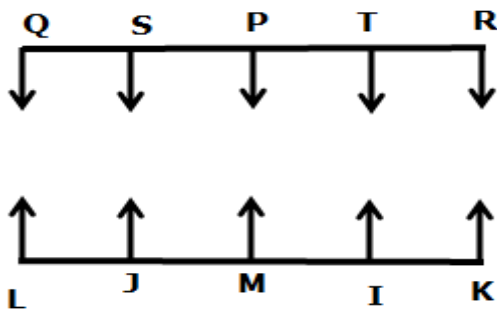
D. Only II and III

E. Only IV

ANSWER WITH EXPLANATION

Directions (1-5):

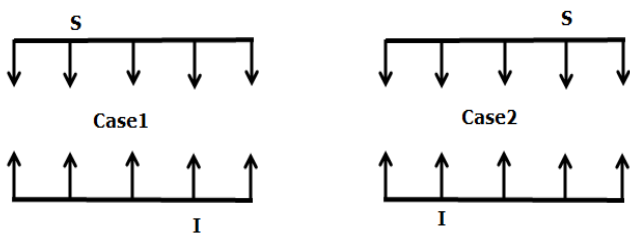
- 1) Answer: B
- 2) Answer: E
- 3) Answer: A
- 4) Answer: E
- 5) Answer: A



We have,

- I sit second from either the right end or left end.
- Only one person sits between I and the one who faces S.

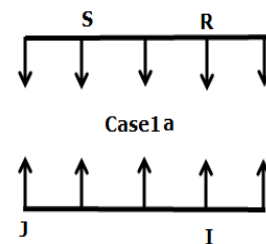
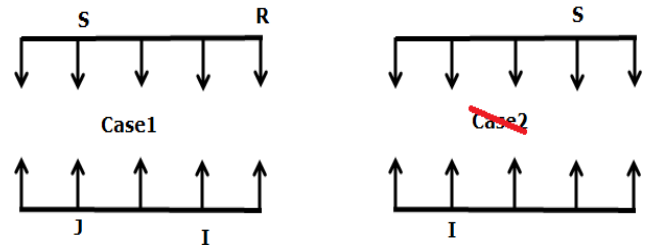
From the above condition, there are two possibilities.



Again we have,

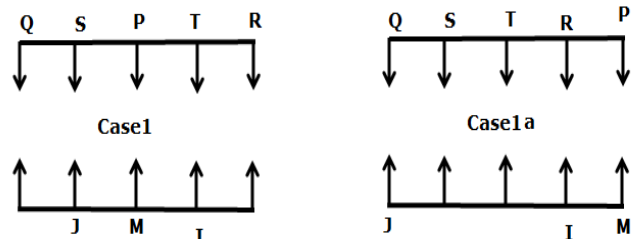
- R sits third to the left of the one who sits opposite to J.

From the above condition, case2 gets eliminated. case1 has one more possibility.



Again we have,

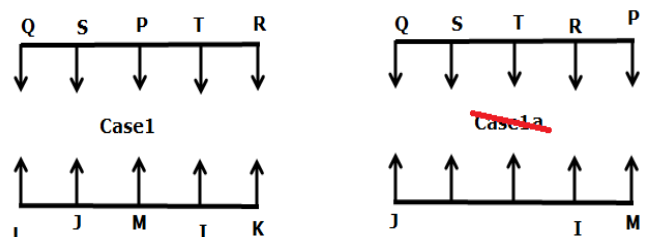
- The number of persons sitting between S and R is the same as between Q and T.
- Q and R are not immediate neighbors.
- The number of people sits to the right of P is the same as to the left of M.



Again we have,

- K sits to the right of L who does not face S.

From the above condition, Case1a gets eliminated. case1 shows the final arrangement.



Parallel Row Seating Arrangement for Bank Exam – Question Bank Set 2 (Eng)

Directions (6-10):

6) Answer: A

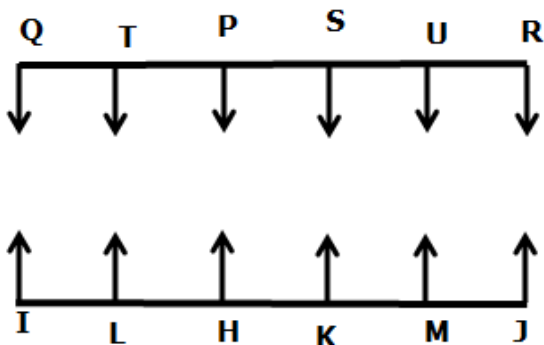
7) Answer: A

8) Answer: E

9) Answer: A

10) Answer: E

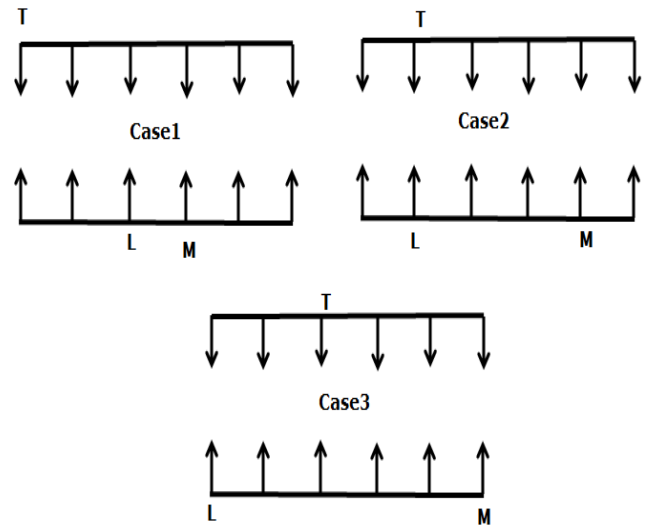
Final Arrangement



We have,

- T sits opposite to the one who sits third to the left of M.
- The number of persons sit to the right of M is the same as the number of persons sit to the left of L.

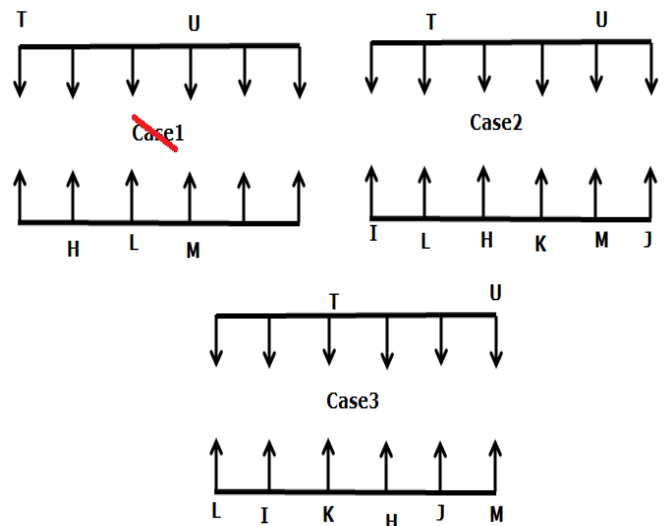
From the above condition, there are three possibilities.



Again we have,

- U sits third to the left of T.
- H sits opposite to the one who sits second to the right of U.
- J sits third to the right of the one who sits immediate left of K.

From the above condition, case1 gets eliminated.



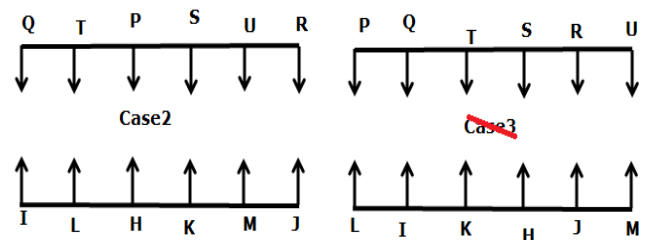
Again we have,

- The number of persons sit between J and I is the same as the number of persons sit between R and Q.
- R and T are not immediate neighbours.

Parallel Row Seating Arrangement for Bank Exam – Question Bank Set 2 (Eng)

- Q and H are not sitting opposite to each other.
- S sits to the left of P who does not sit opposite to L.

From the above condition, case3 gets eliminated.
case2 shows the final arrangement.



[Click Here For Bank Exam Free PDF](#)

[Click Here For Reasoning Free PDF](#)

[Click Here For Quantitative Aptitude Free PDF](#)

[Click Here For English Free PDF](#)